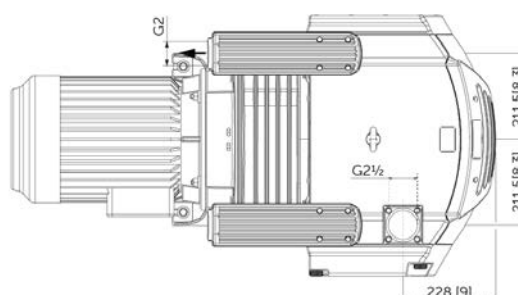
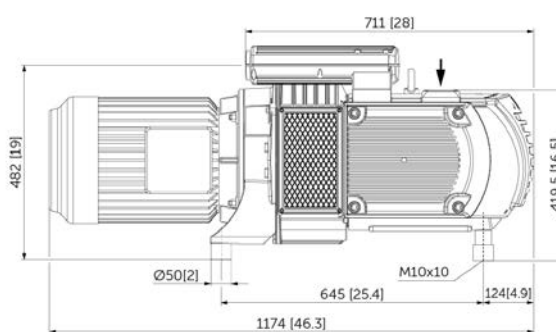
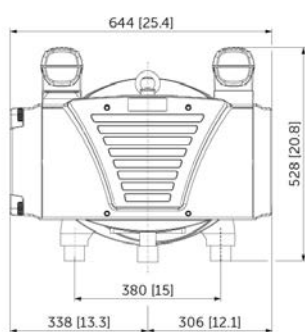


Model: **VTLF2.360**

## SPECIFICATIONS

Volume flow 50 Hz	351 m <sup>3</sup> /h
Vacuum absolute 50 Hz	250 mbar
Power 50 Hz	11.0 kW
Noise Level 50 Hz	80.5 dB(A)
Volume flow 60 Hz	402 m <sup>3</sup> /h
Vacuum absolute 60 Hz	250 mbar
Power 60 Hz	13.2 kW
Noise Level 60 Hz	82.5 dB(A)
Weight	151.0 kg without motor



mm [inch]

BECKER VTLF 2.360